

## Field Reversible

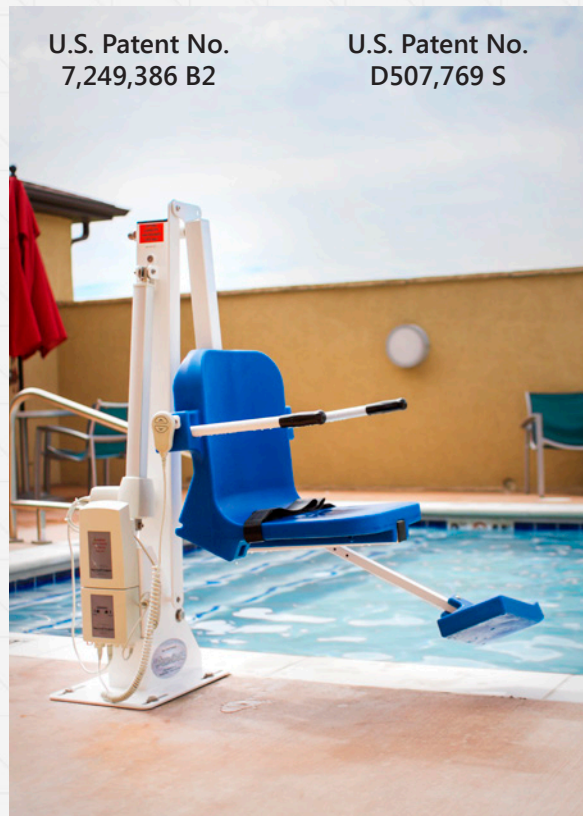
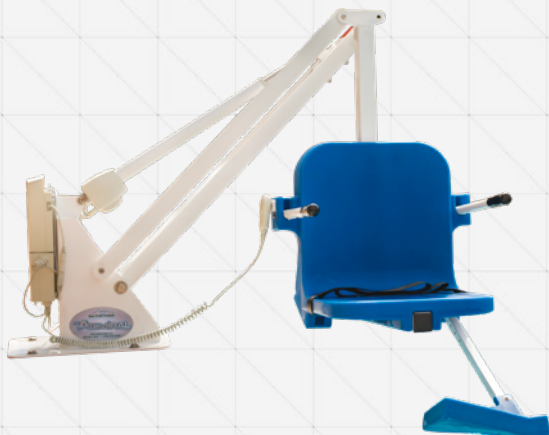
### Item# F-ADMRL

Available in a variety of accent colors  
(blue plastics standard)



Welcome the newest lift in the Pro Series, the NEW Admiral Pool Lift. The Admiral maintains many of the same benefits of the Pro Pool Lift, along with new features. Its field reversible feature allows you to change the direction of the seat on site, allowing you left or right entry into the pool. It comes standard with the new adjustable base plate providing additional flexibility in pools with clearance issues. The Admiral is CE certified and offers a 450 pound weight capacity.

The Admiral is available with the same color options, solar charging station, anchoring systems, and accessories as the Pro Series lifts. The Admiral Pool Lift promises to be an incredible addition to the Aqua Creek line of pool lifts.



U.S. Patent No.  
7,249,386 B2

U.S. Patent No.  
D507,769 S

### OPTIONS/ACCESSORIES:

#### ITEM #

#### DESCRIPTION

F-04CAJP	Anchor kit, standard with 4" inserts
F-08CAJP	Anchor kit, standard with 8" inserts for use with pavers
F-046QAB-AT1	Anchor kit, quick attach with 4" inserts
F-40220-AT1	Anchor kit, wood deck applications
F-120PPC	Cover, standard lockable, blue
F-120PPC-T	Cover, standard lockable, tan
F-019CA	Cycle Attachment
F-422PLH-2	Headrest
F-105LAR	Pull-out leg rest
F-044SCH	Solar charging station
F-428HT	Transport cart

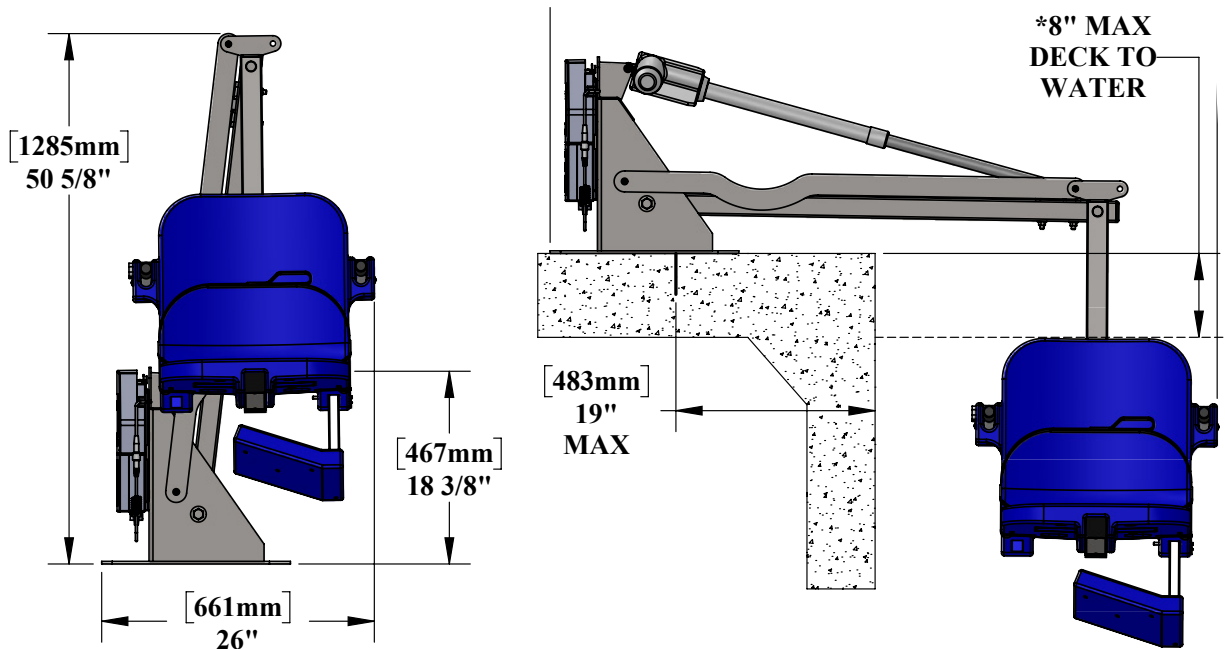
#### FEATURES:

- 450 lb (204 kg) weight capacity
- ADA compliant
- Setback range 14.5" - 19" (37 - 48 cm)
- Field Reversible
- Adjustable base plate
- All stainless steel construction
- Durable powder coat finish
- Flip-up armrests
- Adjustable footrest & lap belt
- Water resistant handset
- Rechargeable battery with wall mount charger
- Five year pro-rated electronics warranty
- Five year structural warranty

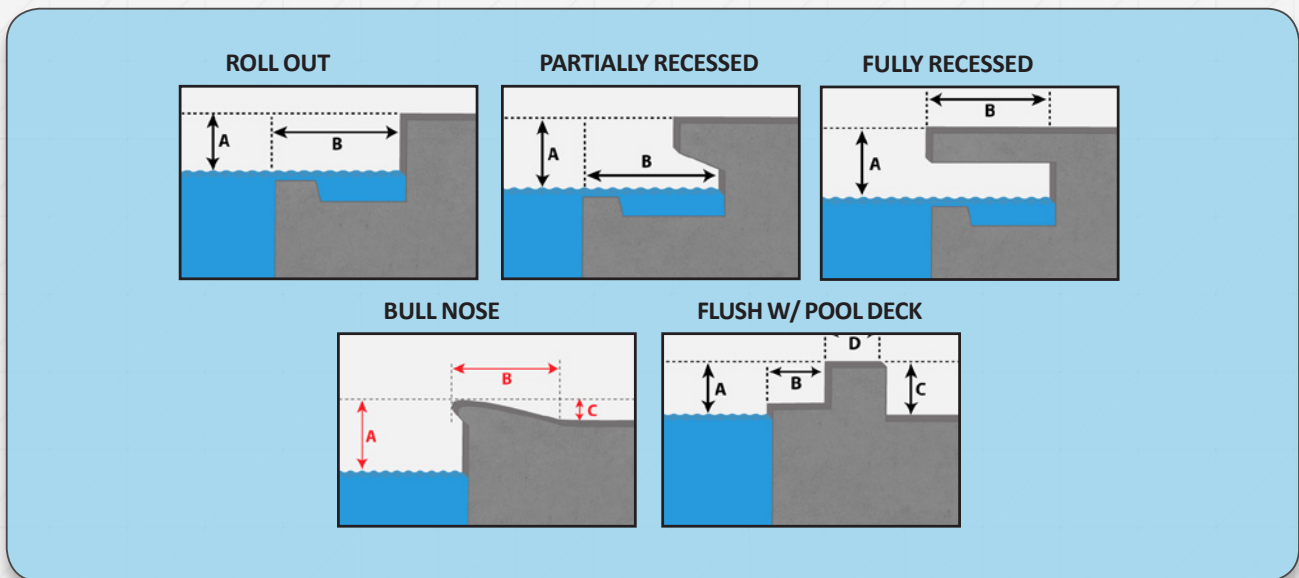
**PROUDLY SOLD BY:**

# The Admiral Pool Lift

## PRODUCT SPECIFICATIONS



## APPLICABLE POOL PROFILES



To confirm specific application go to [www.aquacreek.com](http://www.aquacreek.com) for our **Pool Lift Selector**



Become a member of our new **Dealer and Architect** page. Access to CAD blocks, CSI specs and sales materials.